

ECO Air COMPACT HD with disc brake TSB 4309 / TSB 3709

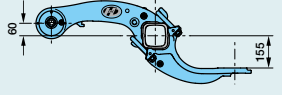

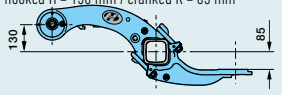
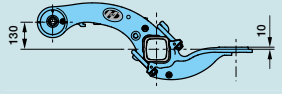


we think transport



ECO Plus 3 / off set ET 120 mm / type HD

Air suspension

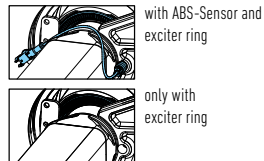
ride height (empty without air)	Hanger bracket height	versions
145 - 175 mm		ACAU (HD) hooked H = 60 mm / cranked K = 155 mm 
185 - 215 mm	ST = 205 mm	ACAM (HD) hooked H = 60 mm / cranked K = 85 mm 
240 mm		ACBM (HD) hooked H = 130 mm / cranked K = 85 mm 
270 - 300 mm		ACBO (HD / HD335) hooked H = 130 mm / cranked K = -10 mm 
330 - 390 mm	ST = 290 mm	

1 Air bag

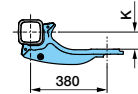
not mounted or mounted

type	off set
30 / 30K	V = 20 mm
30 / 30K	V = 0 / 20 / 60 mm
36 / 36K	V = 80 mm
36	V = 45 / 80 mm
36-1	V = 45 / 80 mm

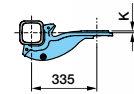
2 ABS



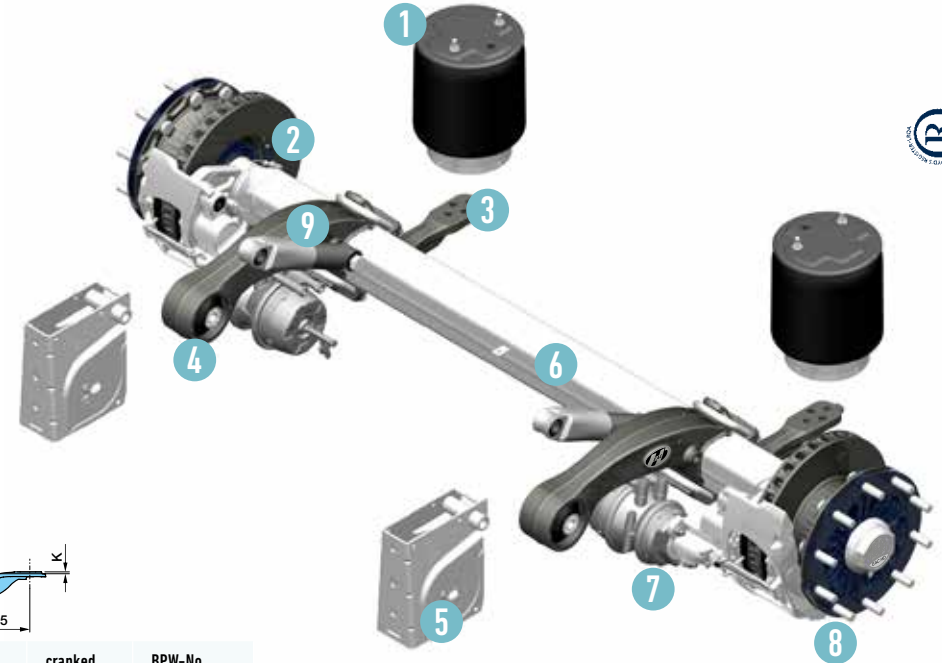
3 Air bag beam



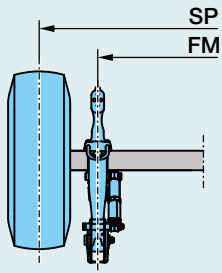
type	cranked	BPW-No.
U-HD	K = 155 mm	03.244.20.13.0
M-HD	K = 85 mm	03.244.20.14.0
O-HD	K = -10 mm	03.244.20.15.0



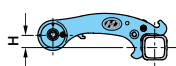
type	cranked	BPW-No.
O-HD335	K = -10 mm	03.244.20.08.0



Track / Spring centre

	TSB 4309	TSB 3709
	Track SP	Spring centre FM
	1980 mm	1250 / 1270 mm
	2010 mm	1300 mm
	2040 mm	1200 / 1250 / 1300 mm
	2095 mm	1300
2140 mm	1300 / 1400 mm	
	Track SP	Spring centre FM
1965 mm	1200 / 1270 mm	
2010 mm	1200 / 1300 mm	
2040 mm	1200 / 1300 mm	

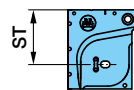
4 Trailing arm A / B



type	hooked	BPW-No.
A-HD	H = 60 mm	05.244.20.10.0
B-HD	H = 130 mm	05.244.20.12.0

5 Hanger bracket

not mounted or mounted



ST	BPW-No.
205 mm	05.375.50.01.0
290 mm	05.375.50.02.0

6 Axle beam

square 120 x 10 mm

7 Brake cylinder

not mounted: everything is possible
mounted: only these types

M/M	M
16 / 24 "	16 "
20 / 24 "	18 "
only for TSB 4309	20 "
	22 "
	24 "

8 Wheel bolt



BPW-No.
03.296.33.21.1

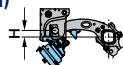
9 Shock absorber

not mounted or mounted

L min. / L max.	BPW-No.
287 / 412 mm	02.3732.05.02
292 / 432 mm	02.3732.07.02
326 / 496 mm	02.3732.08.02
351 / 541 mm	02.3732.06.02

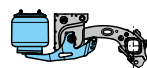
Two-sided lifting device (not mounted)

05.828.32.05.0 (hooked H = 60 mm)
05.828.32.06.0 (hooked H = 130 mm)



One-sided lifting device (not mounted)

05.828.32.07.0



Disc protector

not mounted or mounted



Wheel nuts

not mounted



Special equipment which is not mentioned here cannot be added to the range of delivery of EAC (e.g. preparation tyre pressure controlsystem).

