

BPW Special tools and calibration equipment

for BPW axles and axle suspensions





BPW-WP 39021401e

BPW is a globally leading manufacturer of intelligent running gear systems for trailers and semi-trailers. As an international mobility and system partner, we offer a wide range of solutions for the transport industry from a single source, from axle to suspension and brake to user-friendly telematics applications.

We thereby ensure outstanding transparency in loading and transport processes and facilitate efficient fleet management. Today, the well-established brand represents an international corporation with a wide product and service portfolio for the commercial vehicle industry. Offering running gear systems, telematics, lighting systems, composite solutions and trailer superstructures, BPW is the right system partner for automotive manufacturers.

BPW, the owner-operated company, consistently pursues one target: To always give you exactly the solution which will pay off. To this end, we focus our attention on uncompromising quality for high reliability and service life, weight and time-saving concepts for low operating and maintenance costs as well as personal customer service and a close-knit service network for quick and direct support. You can be sure that with your international mobility partner BPW, you always use the most efficient method.

Your partner on the path to economic viability



BPW Bergische Achsen Kommanditgesellschaft

Postbox 12 80 · 51656 Wiehl, Germany · Phone +49 (0) 2262 78-0
info@bpw.de · www.bpw.de

BPW Special tools and calibration equipment

Contents

◎ 1. General tools	Pages 4 - 14
1.1 Box spanners for wheel nuts, extension tubes	Page 4
1.2 Ring spanner for hub caps, flat design	Page 5
1.3 Box spanner for hub caps and axle nuts, long design	Page 6
1.4 Box spanner for axle nuts	Page 7
1.5 Box spanner for workshop use	Page 8
1.6 Hub puller for wheel hubs and spider hubs	Page 9
1.7 Tool outfits, tool kits	Page 10 - 11
1.8 Pressing tools for outer rings of roller bearings and pressing in ECO/ECO ^{Plus} hub seal bearing races	Page 12
1.9 Drawing tool for taper roller bearings with thrust ring / Exciter ring assembly aid	Page 13
1.10 Grease sprays for greasing roller bearings	Page 14
◎ 2. Tools for drum brakes	Pages 16 - 19
2.1 Lever, spring plies, spreader for fitting brake shoes	Page 16
2.2 Drawing tool for brake pins	Page 17
2.3 Driving mandrel for bearing bushes on brake pins and brake cam shaft	Page 18
2.4 Pulling device for slack adjusters	Page 19
◎ 3. Tools for the overhaul of BPW disc brakes	Pages 20 - 23
◎ 4. Tools for air suspensions and mechanical suspensions.....	Pages 24 - 27
4.1 Tools for rubber-steel bushes, for manual assembly and removal	Page 24
4.2 Tools for rubber-steel bushes, pressing-in with a press	Page 25
4.3 Montagewerkzeuge für Stahl-Gummi-Stahl-Buchsen, pressing-in with a press	Page 26
4.4 Tools for rubber-steel bushes, ECO Air Compact	Page 27
◎ 5. Calibration equipment	Pages 28 - 29
5.1 Calibration tubes, threaded adapters and pulling screw	Page 28
5.2 Sets of calibration equipment	Page 29

Valid: **1.9.2014**

This list includes the original tools for BPW trailer axles and suspension units.

For more information on tool operation see the corresponding workshop manuals.

Current versions and additional informations can be found online at www.bpw.de.

Subject to change (without notice).

BPW Special tools and calibration equipment

General

BPW Special tools and calibration equipment

Special tools and measuring devices have a long tradition at BPW Bergische Achsen KG, based on decades of experience.

The existing range of tools has been systematically improved and new products have been added to it with every new generation of axles.

BPW offers a tool case (BPW Code no. 99.00.000.9.68) for service and repair of the BPW ECO Disc Trailer disc brakes, containing all tools that might be required.

In addition to which BPW offers special measuring devices for checking dimensions on axles and suspensions.

Tried and tested design

Tools must prove their worth in hard, everyday use. Only then does it become clear whether tools are up to the demands of the real world.

Use of high-quality materials

High-quality materials are absolutely essential for producing high-quality tools. Continuous quality assurance guarantees consistent quality.

Favourable price/performance ratio

Quality is not always obvious at first glance (e.g. materials). Buying quality tools is often the cheaper option in the long term. This particularly applies in those cases where tools are regularly needed and where their trouble-free use must be guaranteed at all times.

- ⦿ The special tools ensure that all recommended service work on the BPW ECO Disc (TSB 3709 / TSB 4309 / TSB 4312) can be performed safely and easily.
- ⦿ All work on the vehicle is only allowed to be performed by employees of the commercial vehicle industry and the commercial vehicle trade who have the appropriate technical proficiency. Always follow the safety instructions issued by the vehicle manufacturer.
- ⦿ Observe the BPW workshop manual (www.bpw.de).

Long service life, low wear

BPW tools are designed to be particularly resistant to wear and tear, and guarantee an extremely long service life, even with frequent use.

Simple to handle

Ideal solutions are always simple. This statement also particularly applies to tools. For that reason BPW tools are designed strictly to meet the technically necessary requirements. Solutions that do not meet practical requirements are rigorously weeded out at the development stage.

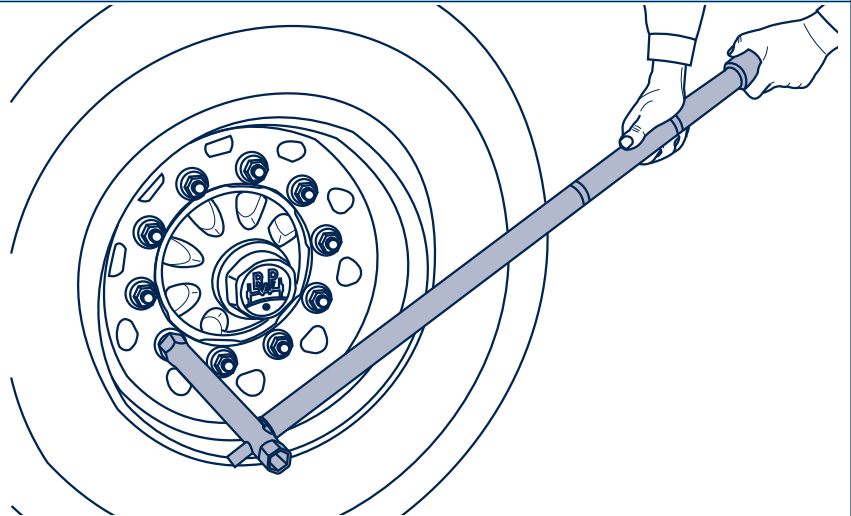
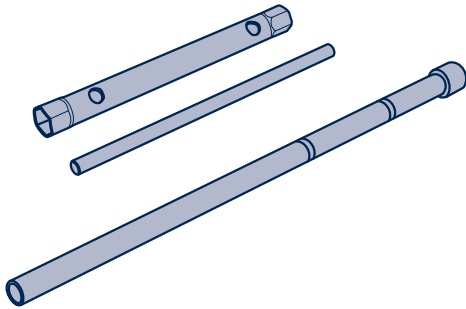
Details on the correct use of the tools can be found in the respective workshop manuals.

1 General tools

1.1 Box spanner for wheel nuts, extension tube

For slacken / tighten of wheel nuts

Steel tube, galvanized.
For use with lever pin.



Box spanner with lever pin

Box spanner	SW	L	Ø Lever pin	BPW Code no.
	19 / 24	350	14	05.364.12.04.0
	27 / 30	425	19	05.364.14.03.0
	27 / 32	425	19	05.364.15.10.0
	27 / 33	425	19	05.364.15.14.0
	30 / 32	425	19	05.364.15.07.0
	30 / 32	525	19	05.364.15.08.0

SW = Spanner width

Lever pin only	Ø	L	BPW Code no.
	14	350	02.6015.01.00
	19	450	03.084.64.04.0

Extension tube

Extension tube	Ø	L	BPW Code no.
	30 / 38 / 52	1000	05.300.73.38.0

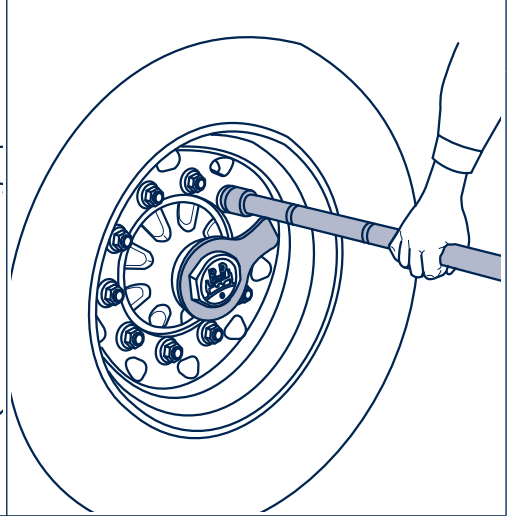
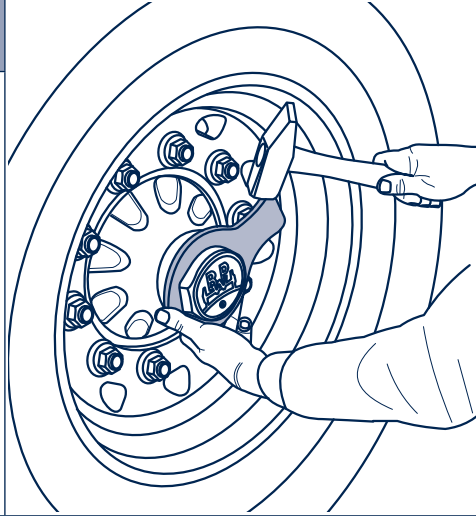
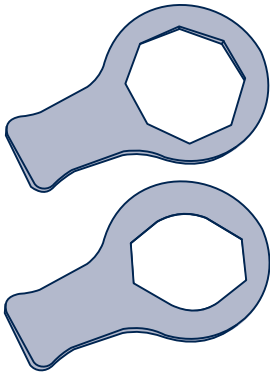
600 mm lever
800 mm lever
1000 mm lever

General tools 1

Ring spanner for hub caps, flat execution 1.2

For slacken / tighten of hub caps

Steel plate (St 52),
galvanized.



Ring spanner for hub caps

Ring spanner for hub cap	for axle type	SW Octagonal	L	BPW Code no.	
		55	205	03.339.02.02.0	
		60	157	03.339.03.02.0	
		85	233	03.339.03.04.0	
	EH.. 6 t	90	233	03.339.04.02.0	
	EH.. 6.5 - 9 t	95	233	03.339.04.01.0	
	EH.. 10., 11., 12..-2 H.. 10 - 12t Oil-filled N.. 10 - 12t Oil-filled	110	240	03.339.05.01.0	
	EH.. 13 - 16t H.. 14 - 18t K.. 13t N.. 13t Z.. 13t	120	240	03.339.05.07.0	
	H.. 20t	130	240	03.339.05.03.0	
Ring spanner for hub cap	for axle type	SW BPW shape	L	BPW Code no.	
	H.. 6.5 - 9t K.. 8 - 9t N.. 6 - 9t	95	233	03.339.04.03.0	
	H.. 10 - 12t K.. 10 - 12t N.. 10 - 12t	110	240	03.339.05.04.0	
	H.. 13 - 14t 11/2004 → K.. 13 - 14t 11/2004 →	120	240	03.339.05.02.0 *	
	H.. / K.. ECO Plus 2				
	* cranked				

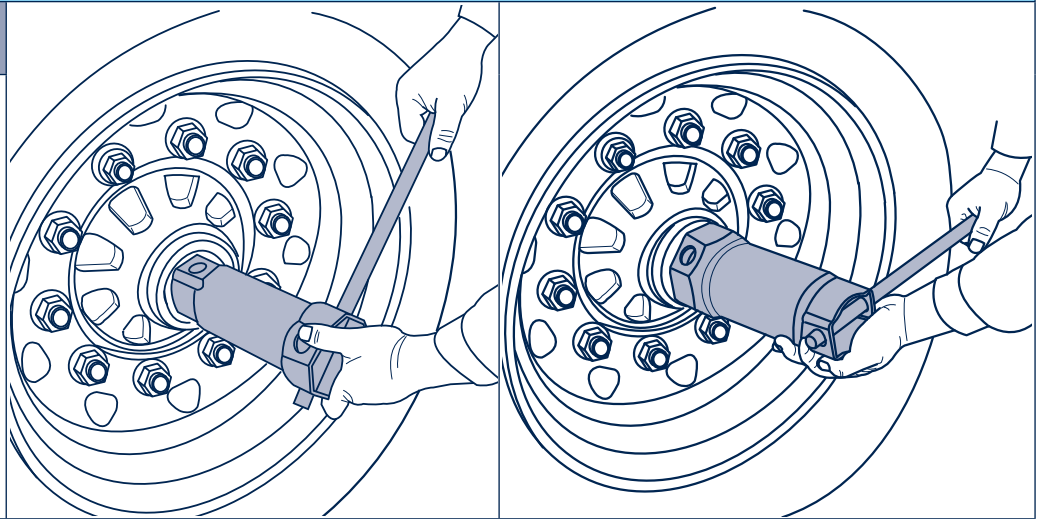
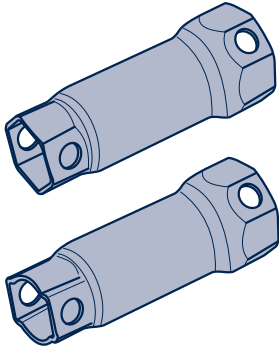
Extension tube see page 6.

1 General tools

1.3 Ring spanner for hub caps and axle nuts

For slacken / tighten of hub caps and axle nuts

Steel tube, long design, galvanized.



Ring spanner for hub caps and axle nuts

Box spanner	for axle type	SW Hexagonal	SW Octagonal	L	BPW Code no.	
	EB.. 2106	-	55	65	03.364.19.02.0	
	EB.. 2706 N.. 4 - 5.5t R.. 2.5 - 5.5t Z.. 4 - 5.5t	46	70	155	03.364.21.02.0	
	Z.. 6t	55	85	265	03.364.25.02.0	
	EH.. 6t	65	95	265	03.364.26.01.0	
	EH.. 6.5 - 9t	80	110	265	03.364.27.01.0	
	Box spanner	for axle type	SW BPW shape	SW Octagonal	L	BPW Code no.
		H.. 6.5 - 9t Conv. / ECO K.. 8 - 9t Conv. / ECO N.. 6 - 9t Conv. / ECO	65	95	265	03.364.26.03.0
H.. 10 - 12t Conv. / ECO K.. 10 - 12t Conv. / ECO N.. 10 - 12t Conv. / ECO		80	110	265	03.364.27.03.0	
H.. 6.5 - 9t ECO K.. 8 - 9t ECO N.. 6 - 9t ECO		65	110	300	03.364.26.06.0	

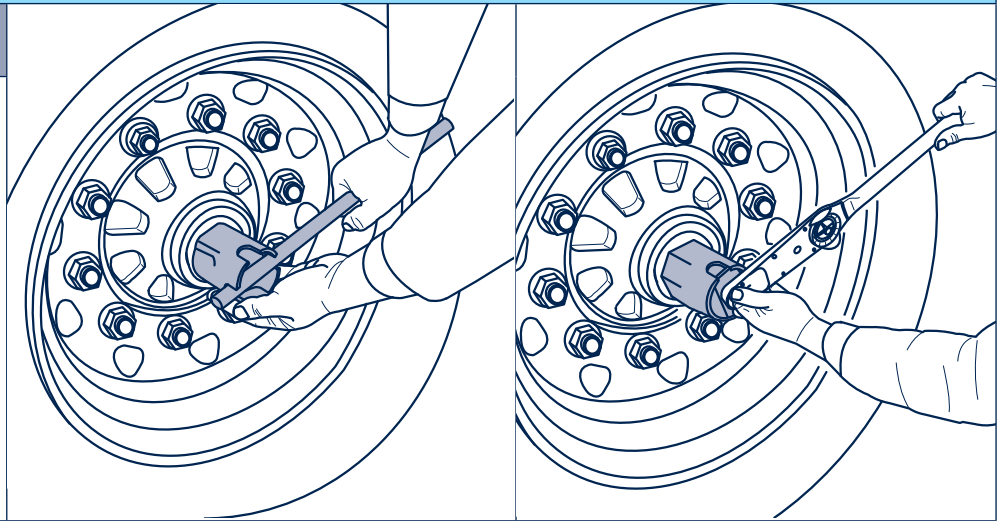
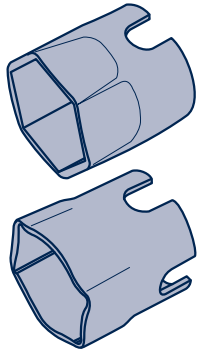
Lever pin und Extension tube see page 6.

General tools 1

Box spanner for axle nuts 1.4

For slacken / tighten of axle nuts

Steel tube,
galvanized.



Box spanner for axle nuts

Box spanner	for axle type	SW Hexagonal	L	BPW Code no.
	EB.. 2106	36	65	03.364.16.01.0
		41	130	03.364.17.01.0
	ZR.. / NR.. / NM.. / R.. 3.2 - 5.5t	46	155	03.364.18.01.0
		55	65	03.364.19.03.0
	EH.. 6 - 9t	65	80	03.364.20.01.0
		70	80	03.364.21.01.0
	EH.. 10., 11., 12.-2	80	80	03.364.24.01.0
	EH.. 13 - 16t	85	300	03.364.25.01.0
	H.. 14 - 18t			
	K.. 13t			
N.. 13t				
H.. / K.. ECO^{Plus}	95	85	05.364.26.05.0	
H.. 20t	100	80	03.364.26.02.0	
Box spanner	for axle type	SW BPW shape	L	BPW Code no.
	H.. 6.5 - 9t Conv. / ECO	65	80	03.364.20.02.0
	K.. 8 - 9t Conv. / ECO			
	N.. 6 - 9t Conv. / ECO			
	H.. 10 - 12t Conv. / ECO	80	80	03.364.24.02.0
	K.. 10 - 12t Conv. / ECO			
N.. 10 - 12t Conv. / ECO				
H.. 14t ECO	85	300	03.364.25.03.0	

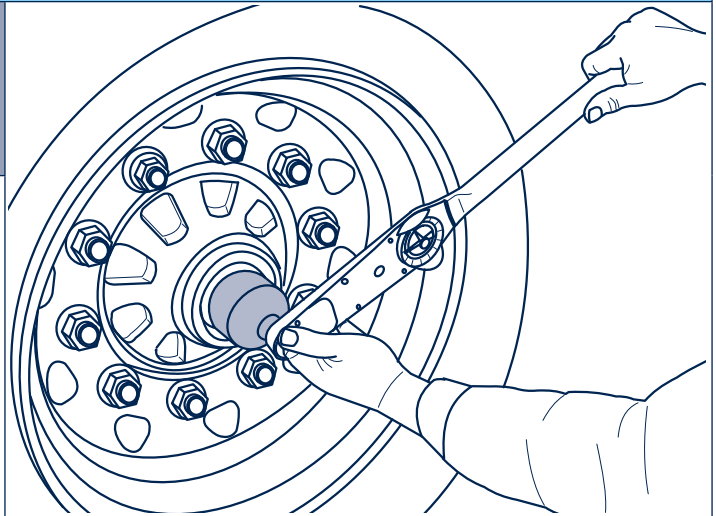
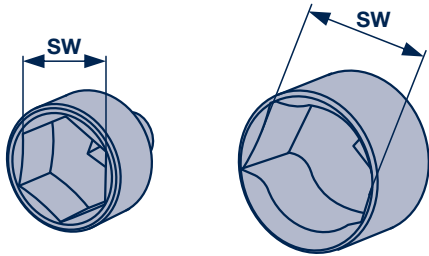
Lever pin und Extension tube see page 6.

1 General tools



1.5 Box spanner for workshop use

For slacken / tighten of wheel nuts and hub caps



Chromium-steel box spanner (31 CR V 3) with hexagon socket (pin retention) for workshop use, either manually (torque spanner) or with impact wrench.



Box spanner for axle nuts

Box spanner	for axle type	SW Hexagonal	□	BPW Code no.
	EB.. 2106 N.. 4 - 5.5t R.. 2.5 - 5.5t ZR.. 4 - 5.5t	46	1/2"	03.364.18.02.0
Box spanner	for axle type	SW BPW shape	□	BPW Code no.
	H.. / K.. / N.. 6 - 9t Conv. H.. / K.. / N.. 6 - 9t ECO	65	1/2"	03.364.20.03.0
	H.. / K.. / N.. 10 - 12t Conv. H.. / K.. / N.. 10 - 12t ECO	80	1/2"	03.364.24.03.0

Box spanner for hub caps

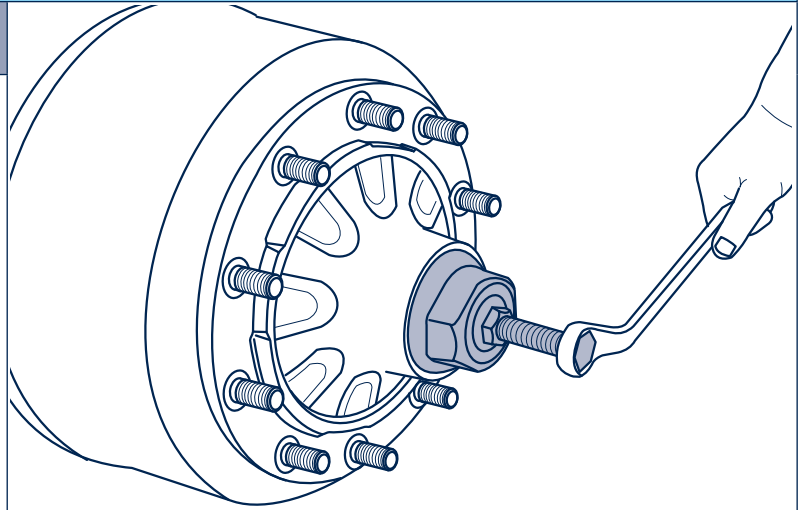
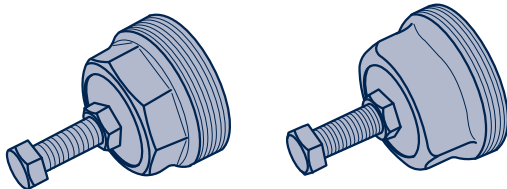
Box spanner	for axle type	SW Octagonal	□	BPW Code no.
	EH.. 8 - 9t H.. 6 - 9t Oil-filled K.. 6.5t Conv., Alloy hub	95	1"	03.364.26.04.0
	EH.. 10 - 12t H.. 10 - 12t Oil-filled	110	1"	03.364.27.04.0
Box spanner	for axle type	SW BPW shape	□	BPW Code no.
	H.. / K.. / N.. Conv. 6.5 - 9t	95	1"	03.364.29.02.0
	H.. / K.. / N.. ECO 6.5 - 12t H.. / K.. ECO ^{Plus}	110	1"	03.364.29.03.0

General tools 1



Hub puller for wheel hubs and spider hubs 1.6

For pulling off wheel hubs and spider hubs

Steel sheet, without screw, galvanized.
Order screw separately.



Hub puller for wheel hubs and spider hubs

Hub puller	for axle type	Thread	SW Octagonal	BPW Code no.	Suitable screw	
		M 76 x 2	60	05.012.24.01.0		
	EB.. 2706 N.. 4 - 5.5t R.. 2.5 - 5.5t ZR.. 4 - 5.5t	M 84 x 2	70	05.012.25.01.0	02.5026.50.80 M 18 x 60	
	ZR.. 6t	M 95 x 2	85	05.012.25.02.0	02.5026.70.80 M 22 x 100	
	EH.. 6t	M 105 x 3	90	05.012.26.01.0		
	EH.. 6.5 - 9t ZR.. 8 - 9 t	M 115 x 3	95	05.012.26.02.0		
	EH.. 10., 11., 12..-2 ZR 10., 10..-1	M 125 x 3	110	05.012.27.01.0		
	EB.. 10t EH.. 12..-1, 13..-1, 14..-1 H. / M.. 14..-1 K. / N. / Z.. 13t	M 135 x 3	120	05.012.27.02.0		
	EH.. 13 - 16t H.. 14 - 18t	M 155 x 3	120	05.012.28.01.0		
	H.. 20t	M 180 x 3	130	05.012.29.01.0		
Hub puller	for axle type	Thread	SW BPW shape	BPW Code no.	Suitable screw	
	H.. 6.5 - 9t K.. 8 - 9t N.. 6 - 9t	M 115 x 2	95	05.012.26.03.0	02.5026.70.80 M 22 x 100	
	H.. 10 - 12t K.. 10 - 12t N.. 10 - 12t	M 125 x 2	110	05.012.27.05.0		
	H.. / K.. 14t 11/2004 →	M 150 x 2	120	05.012.28.03.0		

1 General tools

1.7 Tool outfits, tool kits

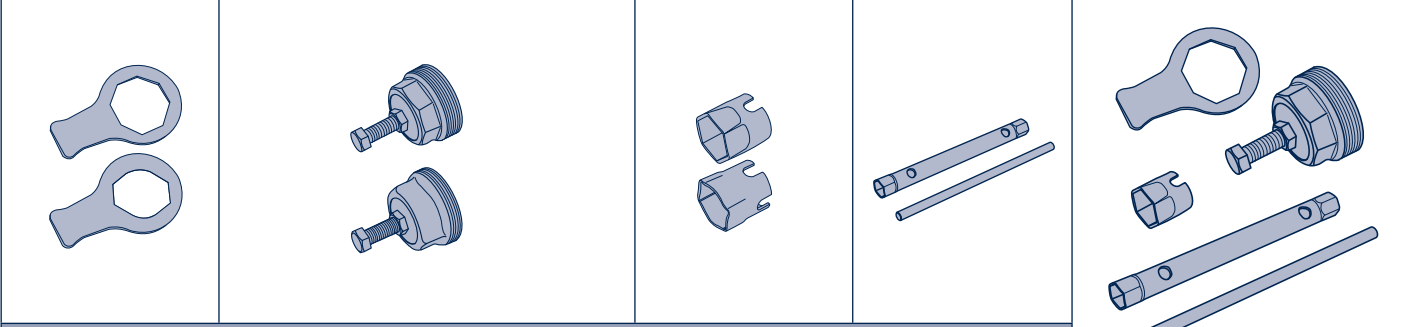
		Hub cap thread							
Axle load	Bearing system execution	Hub cap thread	Shape	Hub cap SW	Shape	Axle nut / Axle screw SW	Shape	Wheel nut SW	
6 - 9t	Conv.	M 115 x 2	A	SW 95	BPW	SW 65	BPW	27 / 32	
	ECO / ECO-MAXX	M 125 x 2	I	SW 110	BPW	SW 65	BPW	27 / 32	
	ECO ^{Plus}	M 136 x 2.5	I	SW 110	BPW	SW 95	Hex.	27 / 32	
	ECO Plus 2	Bayonet		SW 120	BPW	SW 46	Hex.	27 / 32	
10 - 12t	Conv.	M 125 x 2	A	SW 110	BPW	SW 80	BPW	27 / 32	
	ECO / ECO-MAXX	M 136 x 2.5	I	SW 110	BPW	SW 80	BPW	27 / 32	
	ECO / ECO-MAXX	M 136 x 2.5	I	SW 110	BPW	SW 80	BPW	27 / 32	27 / 33
	ECO ^{Plus}	M 136 x 2.5	I	SW 110	BPW	SW 95	Hex.	27 / 32	
13 - 14t	Conv., → 10/2004	M 135 x 3	A	SW 120	Oct.	SW 85	Hex.	27 / 32	
	Conv., 11/2004 →	M 150 x 2	I	SW 120	Oct.	SW 85	BPW	27 / 32	
	Conv., 11/2004 →	M 150 x 2	I	SW 120	Oct.	SW 85	Hex.	27 / 32	
	ECO	M 150 x 2	I	SW 120	BPW	SW 85	BPW	27 / 32	
16 - 18t	Conv.	M 155 x 3	A	SW 120	Oct.	SW 85	Hex.	27 / 32	30 / 32
20t	Conv.	M 180 x 3	A	SW 130	Oct.	SW 100	Hex.	27 / 32	

further types upon request.

SW = Spanner width

General tools 1

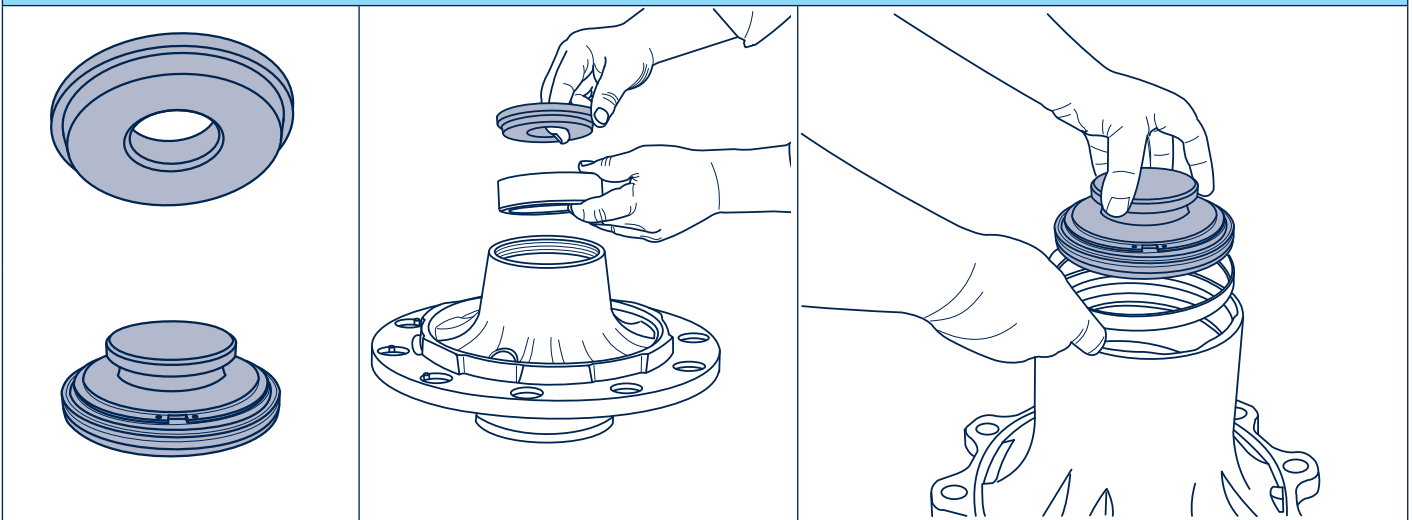
Tool outfits, tool kits 1.7

					
Contents tool kits cpl.					
Spanner hub cap BPW Code no.	Hub puller BPW Code no.	Suitable screw BPW Code no.	Box spanner axle nut / axle screw BPW Code no.	Box spanner wheel nut BPW Code no.	Tool kit cpl. BPW Code no.
03.339.04.03.0	05.012.26.03.0	02.5026.70.80	03.364.20.02.0	05.364.15.10.0	99.00.000.9.27
03.339.05.04.0	-	-	03.364.20.02.0	05.364.15.10.0	99.00.000.9.44
03.339.05.04.0	-	-	05.364.26.05.0	05.364.15.10.0	99.00.000.9.53
03.339.05.02.0	-	-	03.364.18.01.0	05.364.15.10.0	99.00.000.9.62
03.339.05.04.0	05.012.27.05.0	02.5026.70.80	03.364.24.02.0	05.364.15.10.0	99.00.000.9.30
03.339.05.04.0	-	-	03.364.24.02.0	05.364.15.10.0	99.00.000.9.45
03.339.05.04.0	-	-	03.364.24.02.0	05.364.15.10.0 05.364.15.14.0	99.00.000.9.60
03.339.05.04.0	-	-	05.364.26.05.0	05.364.15.10.0	99.00.000.9.53
03.339.05.07.0	05.012.27.02.0	02.5026.70.80	03.364.25.01.0	05.364.15.10.0	99.00.000.9.16
03.339.05.07.0	05.012.28.03.0	02.5026.70.80	03.364.25.03.0	05.364.15.10.0	-
03.339.05.07.0	05.012.28.03.0	02.5026.70.80	03.364.25.01.0	05.364.15.10.0	99.00.000.9.61
03.339.05.02.0	-	-	03.364.25.03.0	05.364.15.10.0	-
03.339.05.07.0	05.012.28.01.0	02.5026.70.80	03.364.25.01.0	05.364.15.10.0	99.00.000.9.11
03.339.05.07.0	05.012.28.01.0	02.5026.70.80	03.364.25.01.0	05.364.15.08.0	99.00.000.9.17
03.339.05.03.0	05.010.29.01.0	02.5026.70.80	03.364.26.02.0	05.364.15.10.0	99.00.000.9.26

1 General tools

1.8 Pressing tools for outer rings of roller bearings and pressing in ECO/ECO^{Plus} hub seal bearing races

For pressing in the outer rings of roller bearings and pressing in ECO/ECO^{Plus} hub seal bearing races



Pressing tool for outer rings of roller bearings

Press tool	for roller bearing	Ø	BPW Code no.
	32212	102	15.001.20052
	32316	157	15.002.20052
	32314	138	15.003.20052
	32309	90	15.004.20052
	32310	100	15.005.20052
	32224	202	15.006.20052
	32222	188	15.007.20052
	32219	160	15.008.20052
	33209	79	15.009.20052
	33208	74	15.010.20052
	33118 / 33217	142	15.011.20052
	33116	123	15.012.20052
	33213	113	15.013.20052
	33215	123	15.014.20052

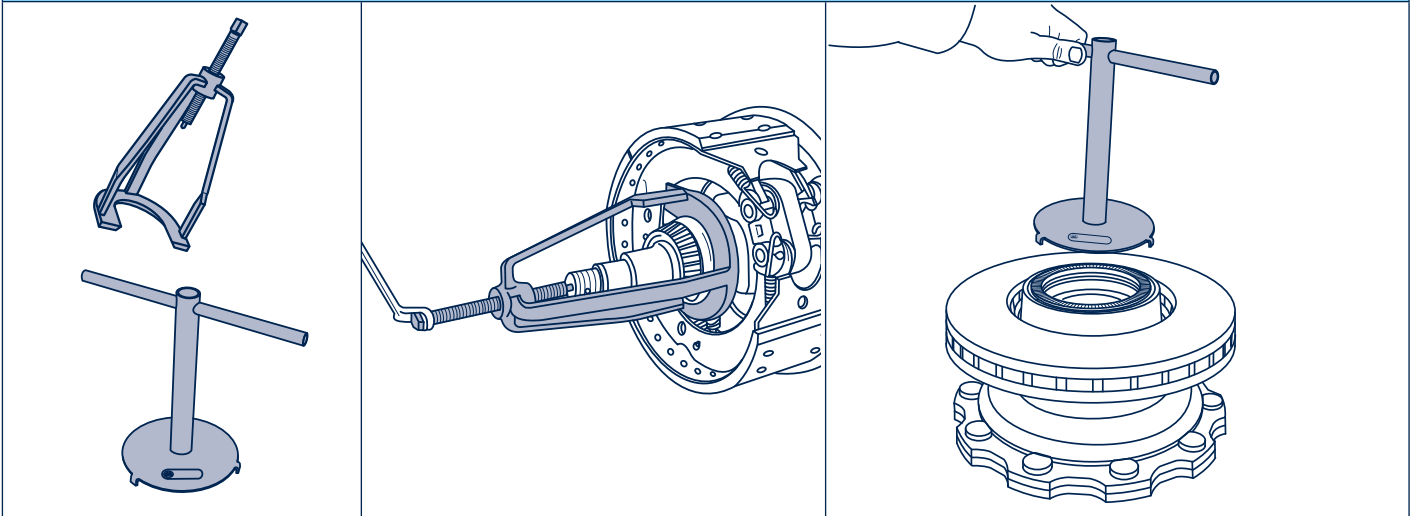
Pressing tool for ECO/ECO^{Plus} hub seal bearing races

Press tool	to fit bearing race	Ø	BPW Code no.
	02.5683.62.00	139	16.005.22111
	02.5683.63.00	159	16.014.22111
	02.5683.80.00	157	16.020.22111

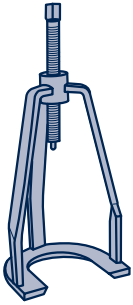
General tools 1

Drawing tool for taper roller bearings / Exciter rings assembly aid 1.9

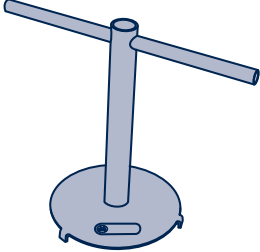
For pull off taper roller bearings / To change exciter rings



Drawing tool for taper roller bearings with thrust ring

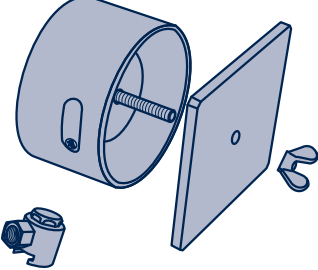
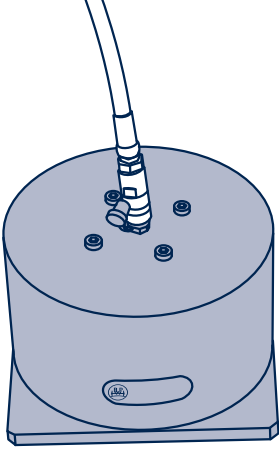
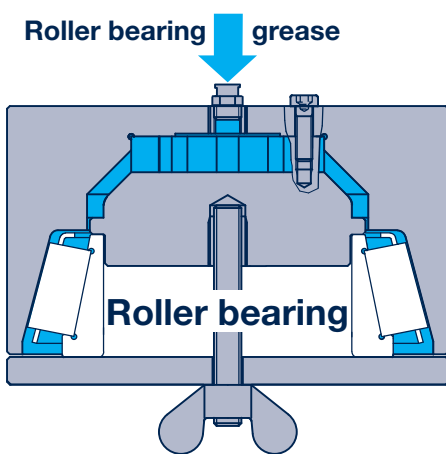
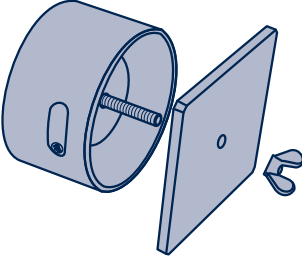

Drawing tool	for axle type	BPW Code no.
	alle Typen 10 - 14 t	02.0125.10.00

Exciter ring assembly aid

Assembly aid	to fit exciter ring	BPW Code no.
	ECO ^{Plus} 8 - 9 t	16.020.22953

1 General tools

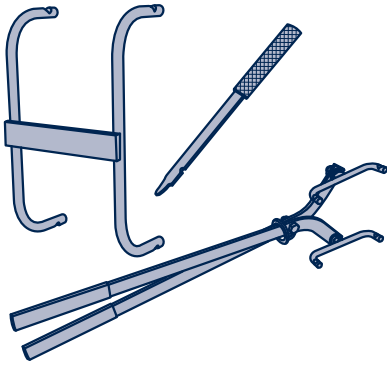
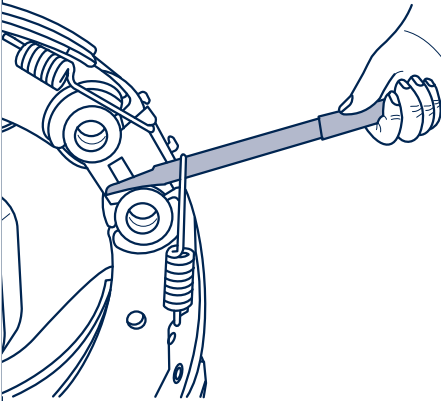
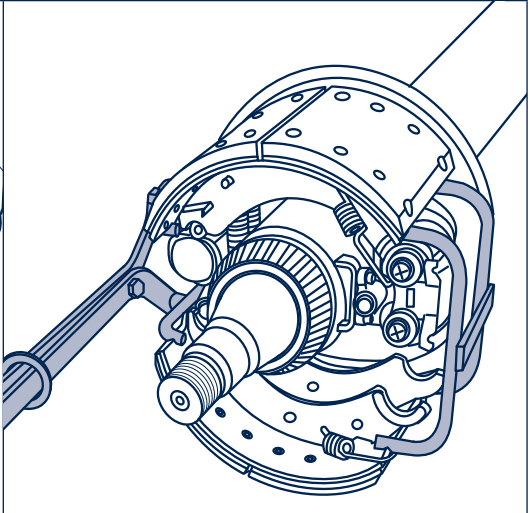
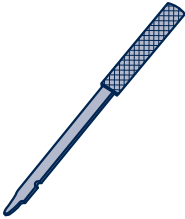
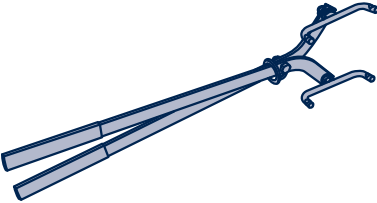
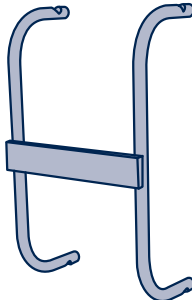
1.10 Grease sprays for greasing roller bearings

For filling wheel bearing with grease			
			
Grease sprays			
Grease spray	for roller bearing	BPW Code no. grease spray loose	BPW Code no. complete set
	33116	16.076.22935	99.00.000.9.54
	32310	16.072.22935	
	33118	16.062.22935	99.00.000.9.55
	33213	16.068.22935	
Complete set including adapter for flat grease nipple			
Adapter for flat grease nipple	BPW Code no.		
	15.069.22935		

Notizes

2 Tools for drum brakes

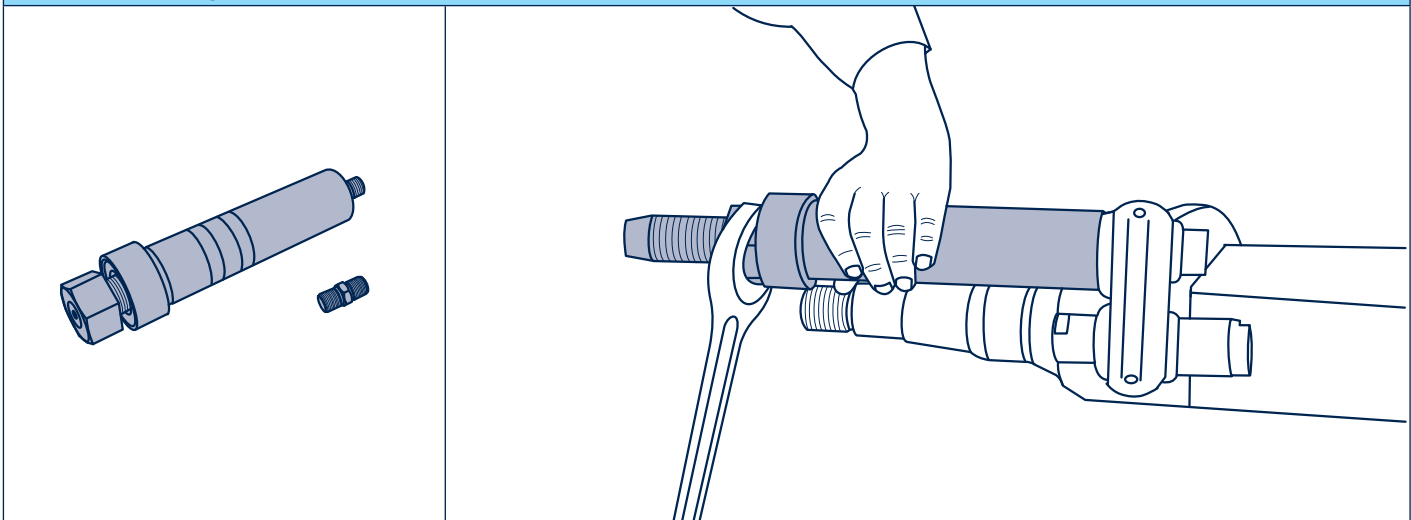
2.1 Lever, spring plies

For mounting brake return springs		
		
Lever for mounting brake return springs		
Lever	Brake	BPW Code no.
	SN 300 SN 360 SN 420	03.190.46.03.0
Spring plier and spreader for mounting brake return springs		
Spring plier	Brake	BPW Code no.
	SN 300 Year of manufacture 1990 - 1995, brake camshafts with double bonding	05.001.26.01.0
Spreader	Brake	BPW Code no.
	SN 300 Year of manufacture 1990 - 1995, brake camshafts with double bonding	05.114.75.01.0

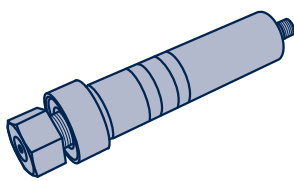
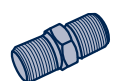
Tools for drum brakes **2**

Drawing tool for brake pins **2.2**

For extracting the brake pins

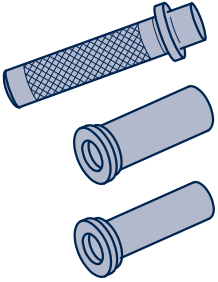
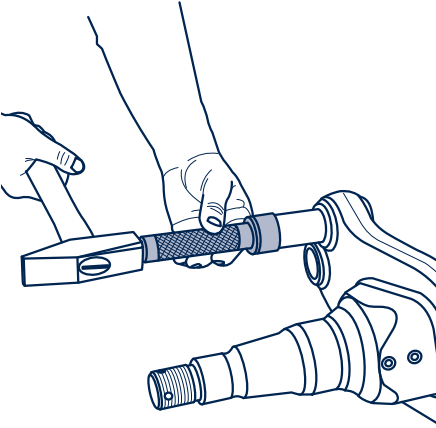
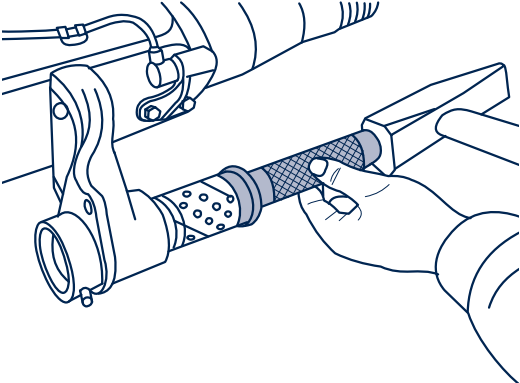
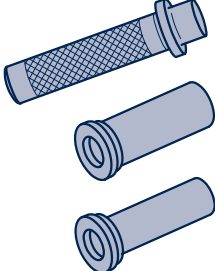
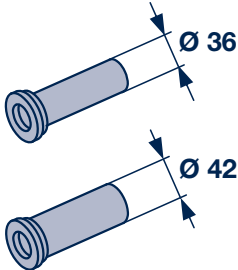
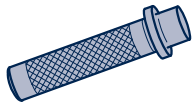


Drawing tool

Drawing tool complete		BPW Code no.
	with threaded inset M 20x1.5 / M 20x1.5	05.001.05.02.0
Threaded inset		BPW Code no.
	Thread	
	M 20x1.5 / M 16x1.5	02.1210.01.00
	M 20x1.5 / M 20x1.5	02.1210.02.00

2 Tools for drum brakes

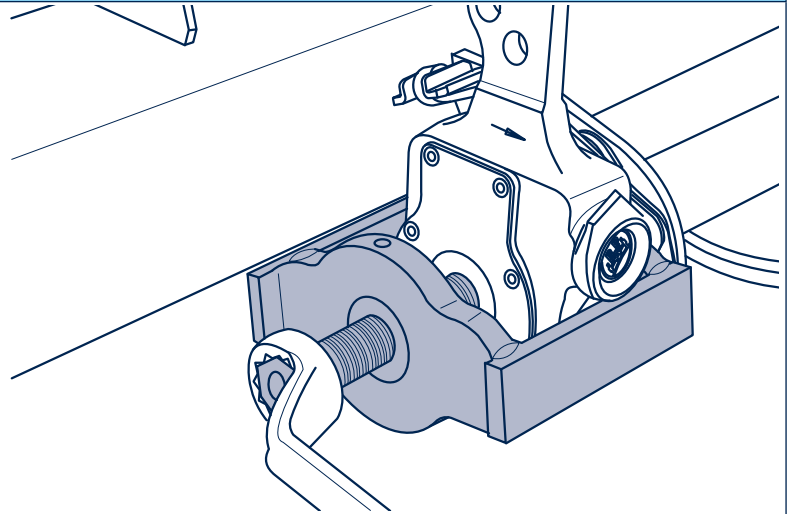
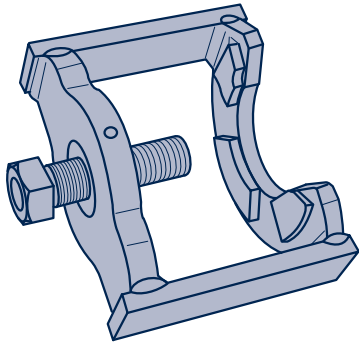
2.3 Driving mandrels

Drive in bushes for brake bolt and brake camshaft		
		
Driving mandrel for bearing bushes on brake pins and brake camshaft		
Driving mandrel complete		BPW Code no.
		05.001.04.04.0
Driving mandrel	Ø	BPW Code no.
	36	03.084.17.02.0
	42	03.084.17.01.0
Handle		BPW Code no.
		02.0619.02.00

Tools for drum brakes **2**

Pulling device for slack adjusters **2.4**

Pull off the slack adjuster from the brake camshaft



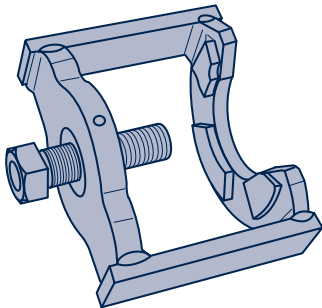
Pulling device

Pulling device cpl.

BPW Code no.

for **GSK / AGS**

02.4306.15.00



3 Special tool for ECO Disc Trailer Disc Brakes

General

BPW Special tools and calibration equipment

Special tools and measuring devices have a long tradition at BPW Bergische Achsen KG, based on decades of experience.

The existing range of tools has been systematically improved and new products have been added to it with every new generation of axles.

BPW offers a tool case (Old = BPW Code no. 99.00.000.9.63, New = BPW Code no. 99.00.000.9.68 incl. tools item 17, 18, 19) for service and repair of the BPW ECO Disc Trailer disc brakes, containing all tools that might be required.

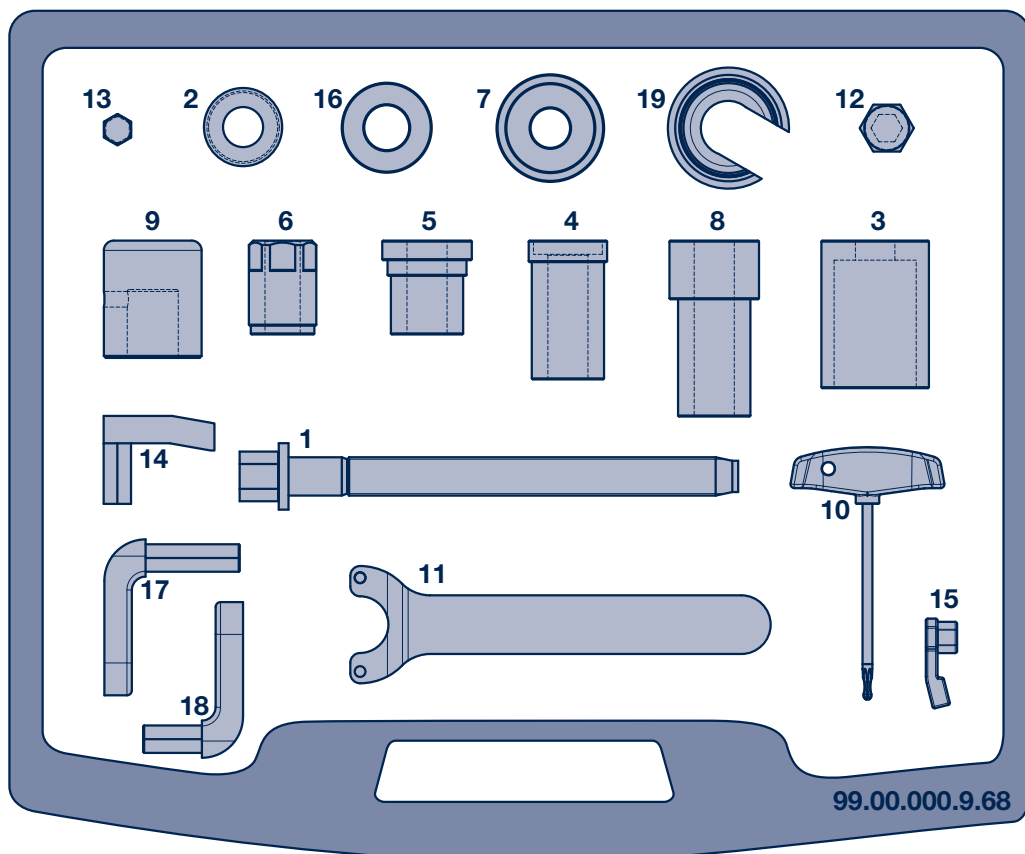
In addition to which BPW offers special measuring devices for checking dimensions on axles and suspensions).

- ⦿ The special tools ensure that all recommended service work on the BPW ECO Disc (TSB 3709 / TSB 4309 / TSB 4312) can be performed safely and easily.
- ⦿ All work on the vehicle is only allowed to be performed by employees of the commercial vehicle industry and the commercial vehicle trade who have the appropriate technical proficiency. Always follow the safety instructions issued by the vehicle manufacturer.
- ⦿ Observe the BPW workshop manual (www.bpw.de)

Special tools for ECO Disc Trailer Disc Brakes **3**

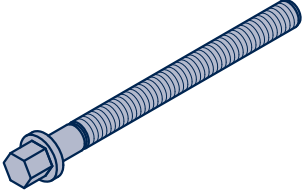
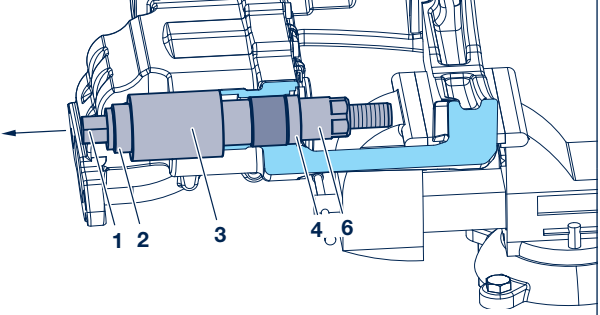

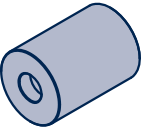
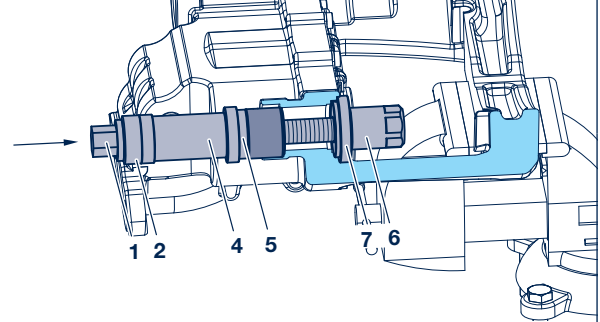
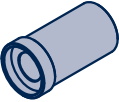

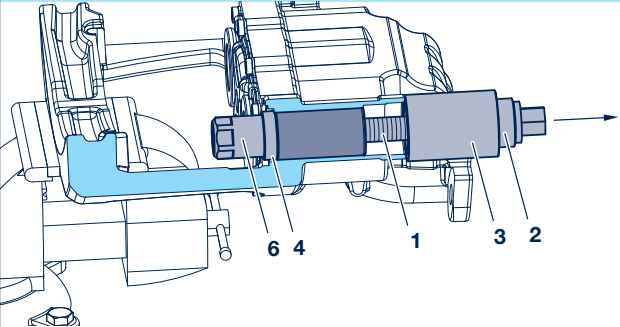


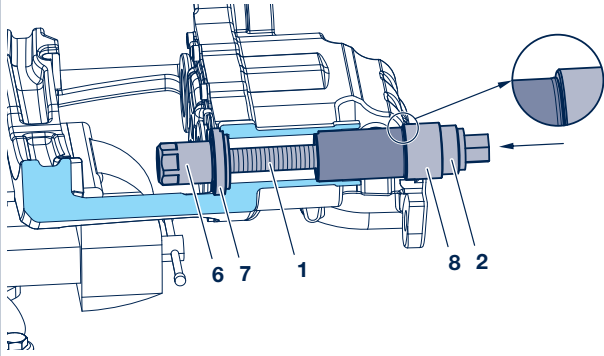
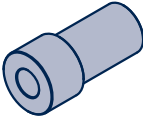
Contents of ECO Disc tool case **3.1**

Nr.	Designation	BPW Code no.	Dimension	Page
1	Threaded spindle	02.0130.39.10	Tr 20 x 2 / SW 22	58
2	Ball bearing	02.0130.40.10	Ø 20.5/40 x 14.5	58
3	Sleeve	02.1410.26.00	Ø 20.5/42 x 75	58
4	Press-out tool for movable and fixed bearings	02.0130.41.10	Ø 20.5/ 40 x 71	58
5	Pressing tool (movable bearing)	02.0130.42.10	Ø 20.5/46 x 48	58
6	Nut	02.5270.37.00	Tr 20 x 2 / SW 32	58
7	Counter-hold tool	02.1421.22.00	Ø 20.5/55 x 13	58
8	Pressing tool (fixed bearing)	02.0130.43.10	Ø 20.5/46 x 90	58
9	Press-on tool (plastic bellows)	02.0130.45.10	Ø 26/50 x 60	59
10	Torx spanner return mechanism	02.0130.44.10	TX 25	59
11	Two-hole spanner for coarse dirt seal	02.3516.20.00		59
12	Adapter for movable bearing screw	02.0130.46.10	SW 14 / SW 24	59
13	Adapter for plastic cap	02.0130.47.10	SW 14 / SW 13	59
14	Adapter for torque wrench (movable bearing)	02.0130.48.10	SW 14	59
15	Adapter for torque wrench (plastic cap)	02.0130.49.10	SW 14	59
16	Ring for pulling in wheel studs	02.5683.92.00	Ø 23/46 x 15	59
17	Adapter for fixed bearing bolt	02.0130.64.10	SW 14 / SW 14	59
18	Adapter for movable bearing screw	02.0130.65.10	SW 14 / SW 14	59
19	Mounting tool for the bellows	02.0130.80.10	Ø 28/62 x 32	59





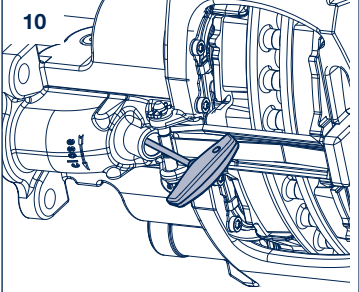
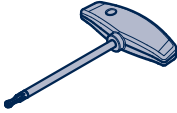
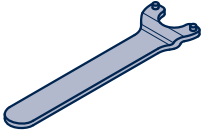
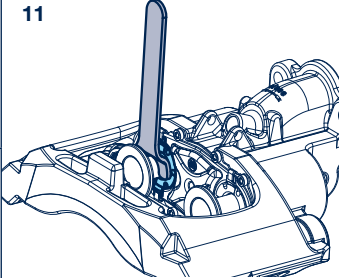
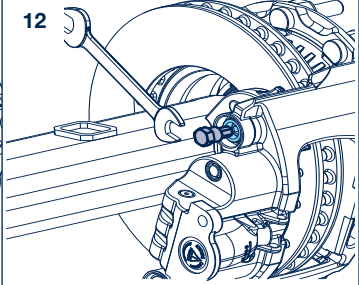


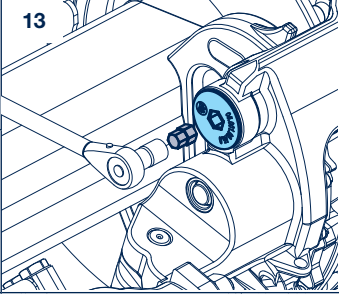
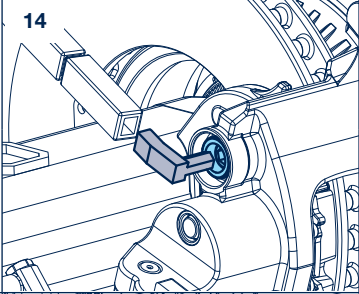
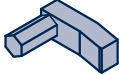
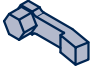
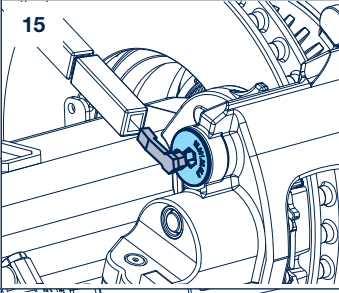
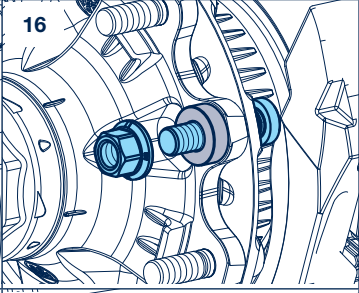


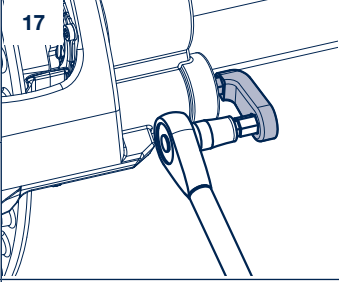
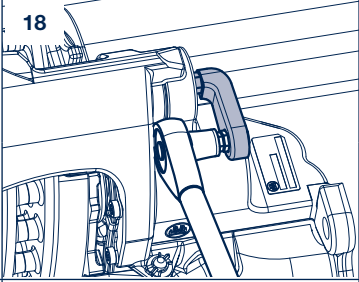


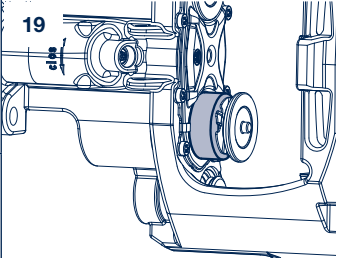
3 Special tools for ECO Disc Trailer Disc Brakes

3.2 BPW special tools at work

BPW special tools at work		
Item / BPW Code no. / Designation / Dimension		
1 02.0130.39.10 Threaded spindle TR 20 x 2 / SW 22		Press-out tool for movable bearing, consisting of item 1, 2, 3, 4, 6 
2 02.0130.40.10 Ball bearing Ø 20.5/40 x 14.5		
3 02.1410.26.00 Sleeve Ø 20.5/42 x 75		Pressing tool for movable bearing, consisting of item 1, 2, 4, 5, 6, 7 
4 02.0130.41.10 Press-out tool for movable and fixed bearings Ø 20.5/40 x 71		
5 02.0130.42.10 Pressing tool (movable bearing) Ø 20.5/46 x 48		Press-out tool for fixed bearing, consisting of item 1, 2, 3, 4, 6 
6 02.5270.37.00 Nut TR 20 x 2 / SW 32		
7 02.1421.22.00 Counter-hold tool Ø 20.5/55 x 13		Pressing tool for fixed bearing, consisting of item 1, 2, 6, 7, 8 
8 02.0130.43.10 Pressing tool (fixed bearing) Ø 20.5/46 x 90		

Special tools for ECO Disc Trailer Disc Brakes **3**

BPW special tools at work **3.2**

BPW special tools at work			
Item / BPW Code no. / Designation / Dimension			
9 02.0130.45.10 Press-on tool (plastic bellows) Ø 26/50 x 60		9 	10 
10 02.0130.44.10 Torx spanner return mechanism TX 25			
11 02.3516.20.00 Two-hole spanner for coarse dirt seal		11 	12 
12 02.0130.46.10 Adapter for movable bearing screw SW 14 / SW 24			
13 02.0130.47.10 Adapter for plastic cap SW 14 / SW 13		13 	14 
14 02.0130.48.10 Adapter for torque wrench (movable bearing) SW 14			
15 02.0130.49.10 Adapter for torque wrench (plastic cap) SW 14		15 	16 
16 02.5683.92.00 Ring for pulling in wheel studs Ø 23/46 x 15			
17 02.0130.64.10 Adapter for fixed bearing bolt SW 14 / SW 14		17 	18 
18 02.0130.65.10 Adapter for movable bearing screw SW 14 / SW 14			
19 02.0130.80.10 Mounting tool for the bellows Ø 28/62 x 32		19 	

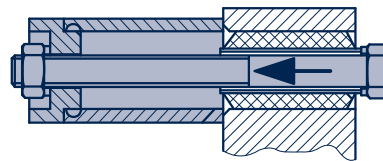
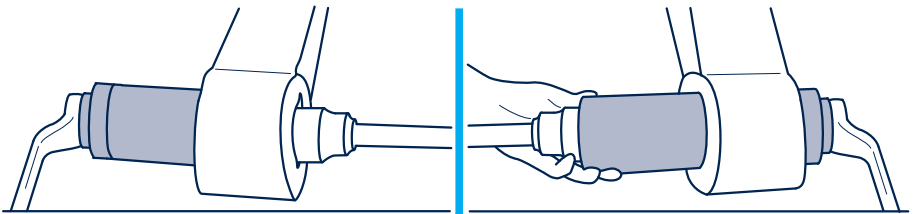
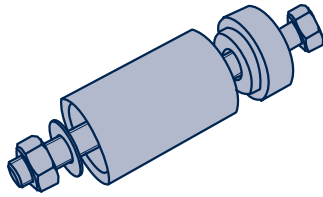
4 Tools for air suspensions and mechanical suspensions

4.1 Tools for rubber-steel bushes

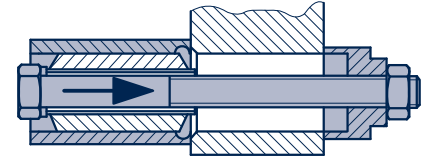
For manual assembly and removal

For assembly and disassembly of rubber-steel bushes

For manual assembly and removal of rubber-steel bushes belonging to torque arms (VB suspensions), U-stabilizers and square beam stabilizers.

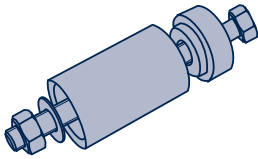


Removal



Assembly

Mounting tool for rubber-steel bushes

Tool	for Ø rubber-steel bush	BPW Code no.
	Ø 50 - 60 mm	14.825.11744

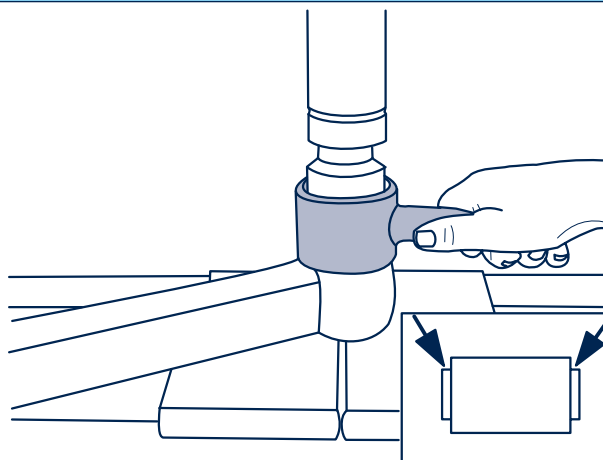
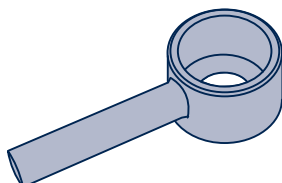
Tools for air suspensions and mechanical suspensions **4**

Tools for rubber-steel bushes **4.2**

Pressing-in with a press

For assembly of rubber-steel bushes

For pressing-in of rubber-steel bushes with a press



Mounting tool for rubber-steel bushes

Tool	for Ø rubber-steel bush	BPW Code no.
	Ø 50 mm	15.001.19433
	Ø 52.6 mm	15.002.19433
	Ø 60 mm	15.003.19433
	Ø 66 mm	15.004.19433
	Ø 85 mm	15.005.19433
	Ø 89.6 mm	15.008.19433
	Ø 100 mm	15.006.19433
	Ø 107 mm	15.007.19433

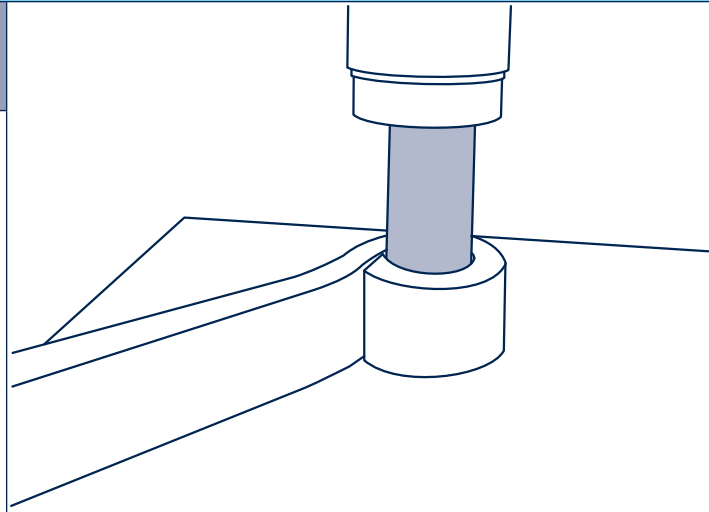
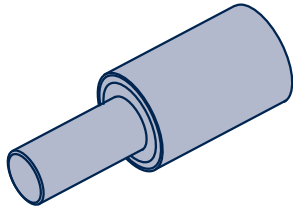
4 Tools for air suspensions and mechanical suspensions

4.3 Tools for steel-rubber-steel bushes

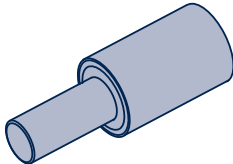
For assembly and disassembly with a press

For assembly and disassembly of steel-rubber-steel bushes

For assembly and disassembly of steel-rubber-steel bushes in trailing arms with a press.



Mounting tool for steel-rubber-steel bushes

Tool	for Ø steel-rubber-steel bush	BPW Code no.
	Ø 24	03.084.37.11.0
	Ø 30	03.084.37.10.0

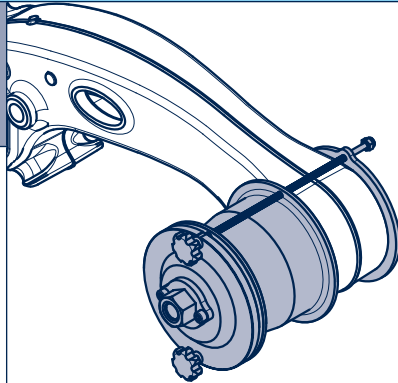
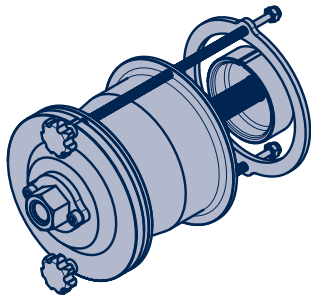
Tools for air suspensions and mechanical suspensions **4**

Tools for rubber-steel bushes **4.4**

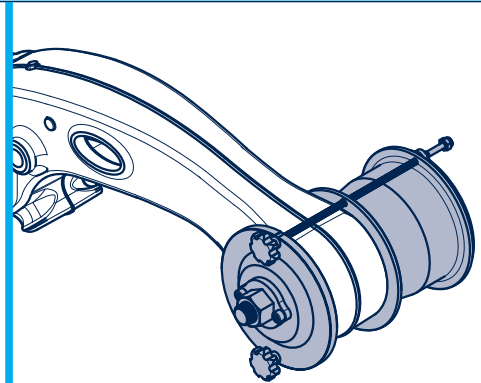
ECO Air Compact, for manual assembly and removal

For assembly and disassembly of rubber-steel bushes

For manual assembly and removal of rubber-steel bushes at trailing guide for ECO Air COMPACT running gear systems

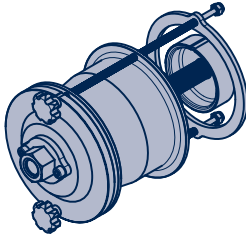


Removal



Assembly

Mounting tool for rubber-steel bushes with ECO Air Compact

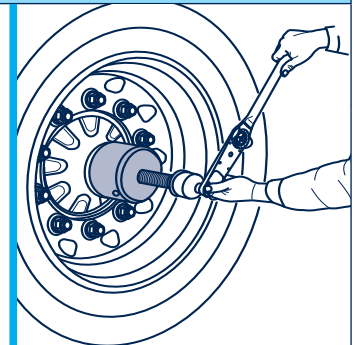
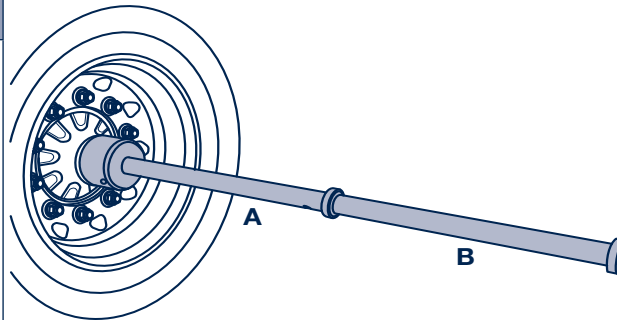
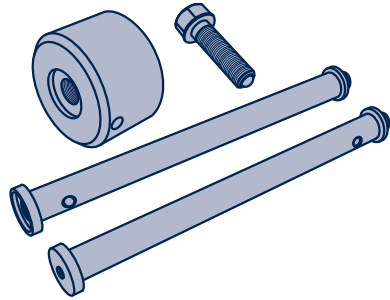
Tool	for Ø rubber-steel bush	BPW Code no.
	Ø 24 / 132	99.00.000.9.69

5 Calibration equipment

5.1 Threaded adapters and calibration tubes

For calibration of axles and suspensions.

Calibration tubes and threaded adapters for calibration of axles and suspensions.



The threaded adapters can also be used as a hub puller in combination with the pulling screw.

Threaded adapters

Threaded adapter	for axle type	Thread (D)	BPW Code no.
	EH.. 6t	M 105 x 3	15.007.01609
	H.. / K.. / N.. Conv. 6.5 - 9t	M 115 x 2	15.013.01609
	EH.. 6.5 - 9t	M 115 x 3	16.009.01609
	H.. / K.. / N.. Conv. 10 - 12t	M 125 x 2	15.014.01609
	H.. / K.. / N.. ECO 6.5 - 9t	M 125 x 2	15.020.01609
	EH.. 10 - 12t	M 125 x 3	16.011.01609
	H.. / K.. / N.. ECO 10 - 12t (old)	M 135 x 2	15.021.01609
	ECO ^{Plus} 8 - 12t / ECO 10t (new)	M 136 x 2.5	15.023.01609
	H.. / K.. / N.. Conv. 13 - 14t	M 135 x 3	15.012.01609
H.. 16 - 18t	M 155 x 3	16.008.01609	

Calibration tubes

Calibration tube	Execution	Thread	L	BPW Code no.
	A	2 x M 30 x 1.5	620	15.001.01609
	B	1 x M 30 x 1.5	620	15.005.01609

Pulling screw

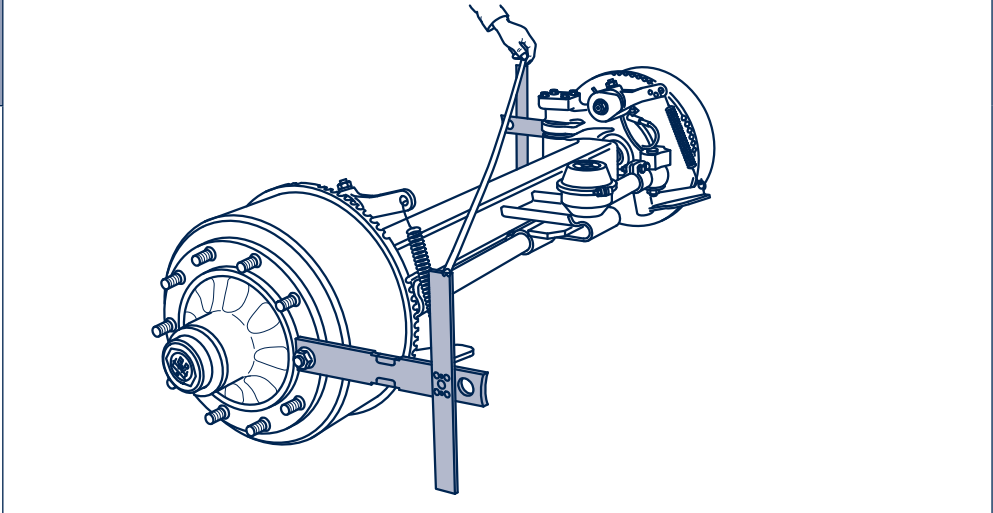
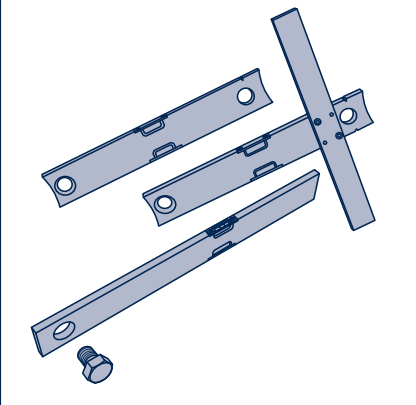
Pulling screw	Thread	BPW Code no.
	M 30 x 1,5	16.031.01609

Calibration equipment 5

Set of calibration equipment 5.2

For measuring trailer axles

Calibration equipment to measure axle deformations, camber, toe-in and toe-out

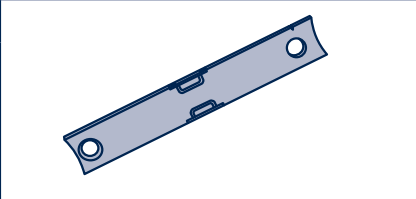


For measuring trailer axles

Calibration equipment (2 items) for wheel hubs

BPW Code no.

99.00.000.7.05

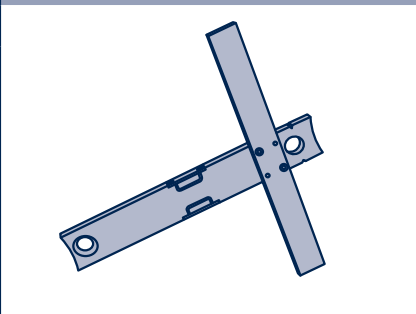


For measuring trailer axles and steering axles

Calibration equipment (2 items) for wheel hubs

BPW Code no.

99.00.000.7.75

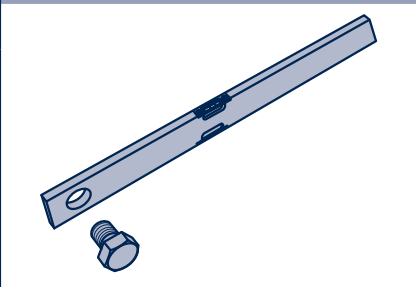


For measuring trailer axles with TRILEX- or spider hubs

Calibration equipment (2 items with screws)

BPW Code no.

99.00.000.7.70



Measure device for TRILEX can only be used together with threaded adaptors (refer page 28).

Refer to according workshop manual for method of measurement.

